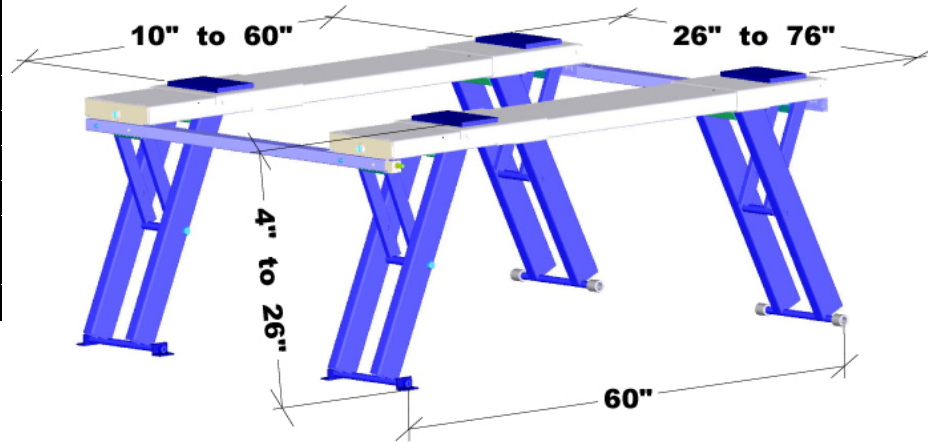


## EZcarlift™ - the epitome of home mechanics' car lift

EZ Car Lift™ Specifications	
Lift capacity	4,400 lb.
Lift height	4" to 26"
Lift mechanism	all mechanical
Lifting tool	min 6 amp corded drill
Net Weight	≤ 165 lbs
Heaviest section	≤ 61 lbs
Warranty	1 year



Use the EZ Car Lift to service your race car, bike, ATV, etc. – i.e. tool for all of your toys

Use as working or moving platform



Easy to transport compact and lightweight design



- fits in most midsize car trunks
- all SUVs and all pick-up trucks
- total weight - 165 lbs.
- heaviest section - 61 lbs.



Superior stability and safety at all height over standard floor stands and floor floor jacks



.... at your home garage



... or on the race track

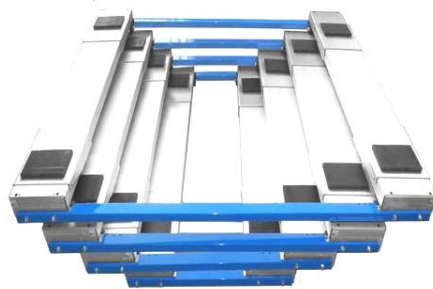
Compact to store



- leaned on the wall



- under your vehicle



4 spacers available to accommodate frame widths from 18" to 76" - in increment of 14"

Set - \$110.00 plus \$25.00 S&H

6" detachable Moving Casters allowing the vehicle to be moved while on the lift. Casters are equipped with brakes and 4 position (quarter turn) swivel locks for controlled movement on your vehicle.

Optional Moving Casters Set \$245.00 plus \$45.00 S&H

